

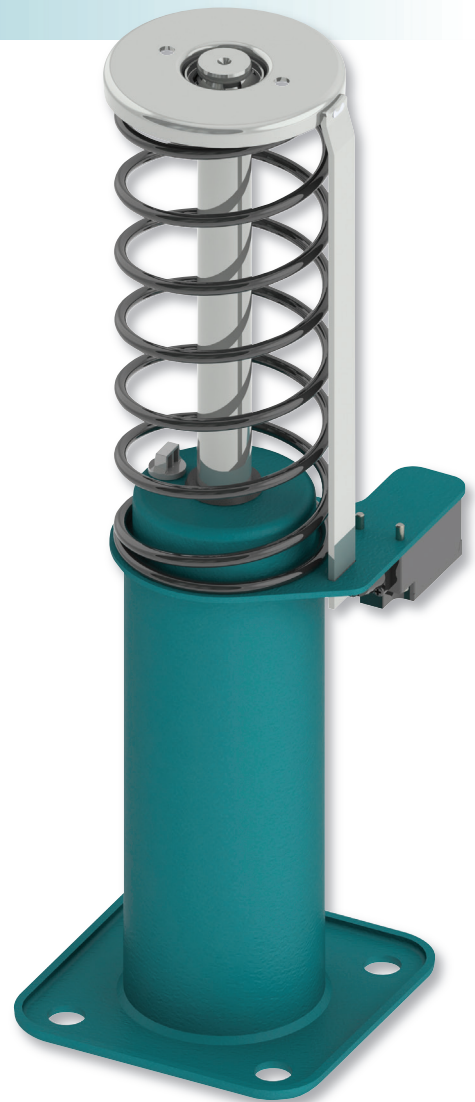
The LSB range incorporates a mechanical return spring with proven oil dissipation technology to ensure a reliable safety solution for low speed, low mass passenger elevators.

The buffers are designed and manufactured according to strict engineering standards and are universally approved and globally certified.

Our LSB units are smaller and weigh considerably less than many alternatives and they can be supplied oil filled which reduces the cost of logistics, saves time and reduces the risk of errors during installation.

### Product features

- Quick & Easy installation
- Energy dissipation buffer
- Minimum G-force experience (increased passenger protection)
- Lowest possible compressed height for specified mass range
- Globally certified to EN81-20/50, ASME17.1, GB7588, EAC, KC
- Fully compliant with lift directive 2014/33/EU
- Wide mass range 380-3250 Kg
- Self contained, maintenance free (except statutory inspections) unit
- Lightweight
- Mechanical spring return
- All supporting documentation available online



Model		LSB 10	LSB 16	LSB 18
Rated speed	m/s	1.000	1.600	1.800
Impact mass range	Kg	380-3250	450-3250	450-3250

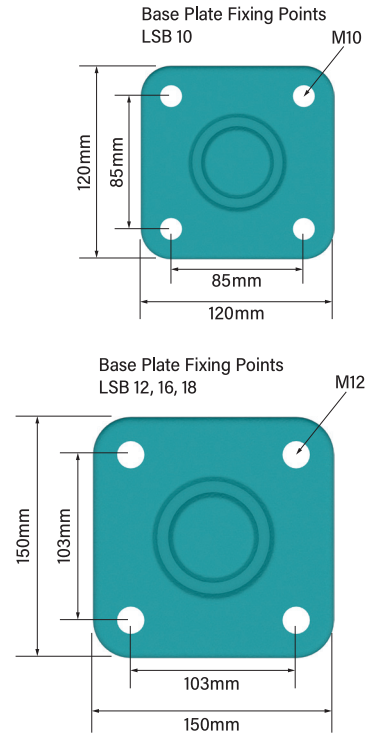
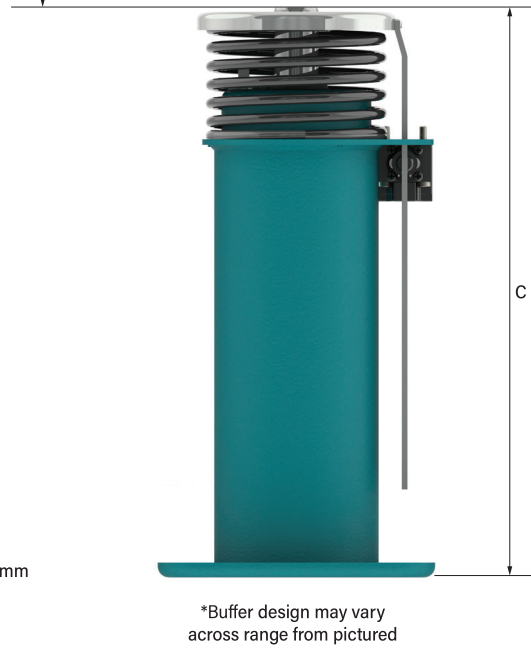
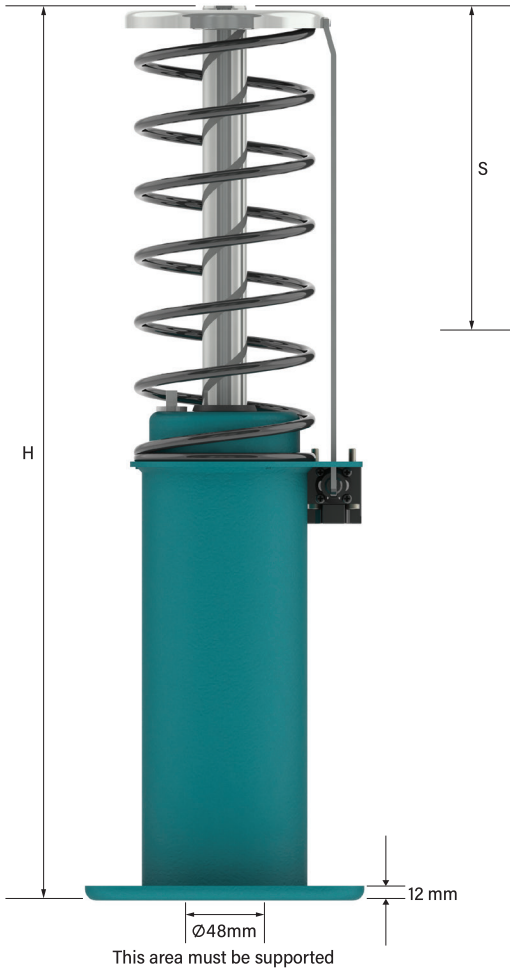
- Passenger**
- Express
- Commercial
- Modernisation**
- Freight
- Vehicle
- Special Applications



# LSB Series

Model		LSB 10	LSB 16	LSB 18
Stroke 'S' (min.)	m	0.0734	0.1735	0.2195
Height 'H' max. (extended)**	m	0.2222	0.4855	0.5775
Height 'C' min. (compressed)**	m	0.1459	0.3069	0.3529
Weight no oil (dry)	Kg	3.529	6.565	7.482
Oil volume	Litres	0.45	0.88	1.03

\*\*The max and min figures provided take account of the extremes of the tolerance to provide absolute maximum and absolute minimum dimensions.



## Range Overview

