



XLB Series

The Oleo XLB range of gas hydraulic buffers is designed specifically for high rise buildings where elevator speeds reach up to 10m/s (using approved speed limiting devices).

The Oleo principle of designing self contained, maintenance free (other than statutory inspections) buffers is applied to the XLB range and ensures an easy installation process and the best safety buffer solution throughout the service life of the elevator.

The units are designed and manufactured according to strict engineering principles and are universally approved and globally certified.

Product features

- Energy dissipation buffer
- Minimum G-force experience (increased passenger protection)
- Lowest possible compressed height for specified mass range
- Globally certified to EN81-20/50, ASME17.1, GB7588, EAC, KC
- Fully compliant with lift directive 2014/33/EU
- Wide mass range 1250-10000 kg
- Self contained, maintenance free (except statutory inspections) unit
- Gas spring return
- All supporting documentation available online



Model		LB 50	LB 55	LB 60
Rated speed	m/s	5.080	5.588	6.096
Impact mass range	kg	1500-7500	1250-7500	1500-10000

Passenger

Express

Commercial

Modernisation

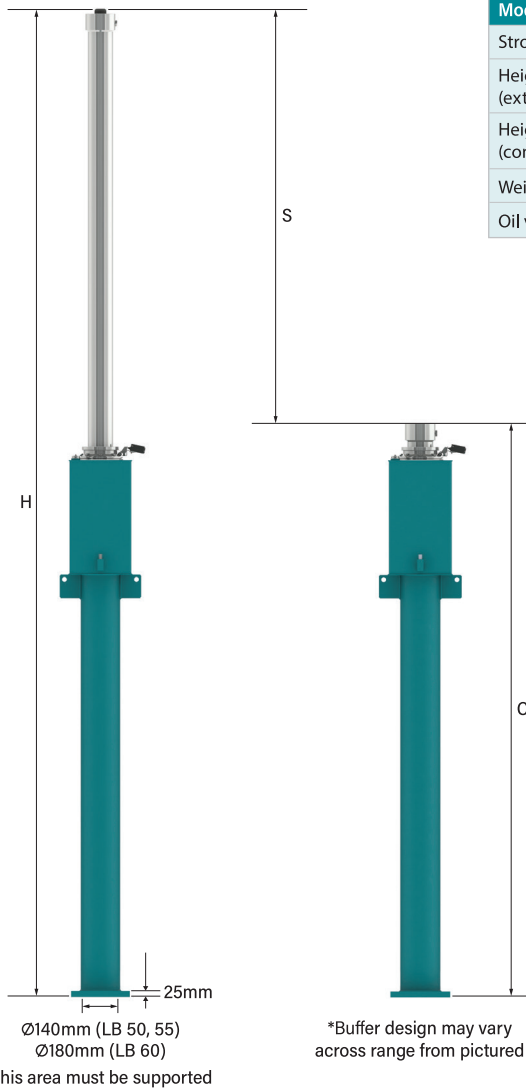
Freight

Vehicle

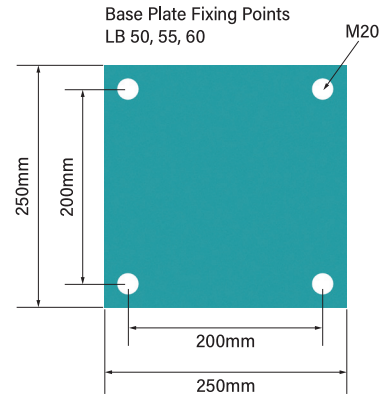
Special Applications



XLB Series



Model		LB 50	LB 55	LB 60
Stroke 'S' (min.)	m	1.7410	2.1100	2.5050
Height 'H' max. (extended)**	m	4.2144	5.0374	6.1796
Height 'C' min. (compressed)**	m	2.4395	2.8935	3.5975
Weight no oil (dry)	Kg	202.6	235.2	458.1
Oil volume	Litres	27.80	33.30	73.00



Range Overview

